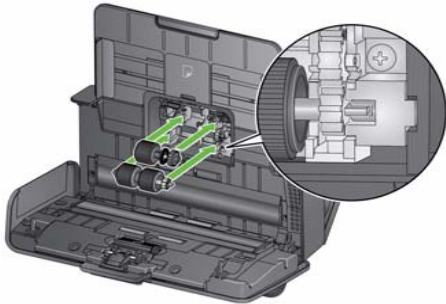


## Cleaning and replacing the feed rollers

4



5



6



## Cleaning the imaging area

1



2



## Supplies and Accessories

CAT No.	Description
175 6360	i11xx Scanner Consumable Kit
131 6264	i11xx NCR Paper Feeding Consumables
853 5981	Roller Cleaning Pads
169 0783	Transport Cleaning Sheets
896 5519	Staticide Wipes for <i>Kodak</i> Scanners
826 6488	Brilliance Detailer Wipes
119 9470	Legal Size Flatbed Accessory
189 4351	A3 Size Flatbed Accessory

Staticide Wipes are not available in all countries. Brilliance Detailer Wipes should be used if Staticide Wipes are not available.

The Legal Size Flatbed Accessory and A3 Size Flatbed Accessory are not available for the *Kodak* i1150WN/i1190WN Scanners.

Kodak Alaris Inc.  
2400 Mount Read Blvd.  
Rochester, New York 14615  
© 2016 Kodak Alaris Inc. All rights reserved  
A-61819 / Part #5K4975 April, 2016

The Kodak trademark and trade dress are used under license from Eastman Kodak Company.



i1100 Series Scanners  
i1150WN/i1190WN Scanners



Reference Guide

## Support Information

[www.kodakalaris.com/go/IMSsupport](http://www.kodakalaris.com/go/IMSsupport)

When contacting support, have the following available:

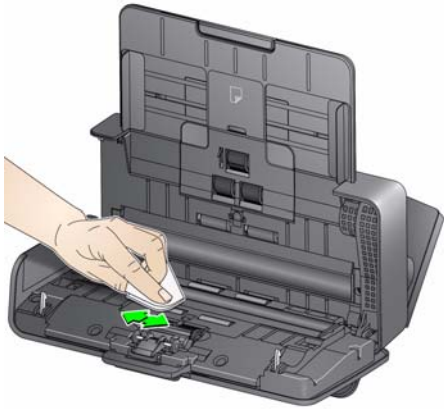
- A description of your problem
- Scanner model and serial number
- Computer configuration
- Software application you are using

## Cleaning the rollers

1



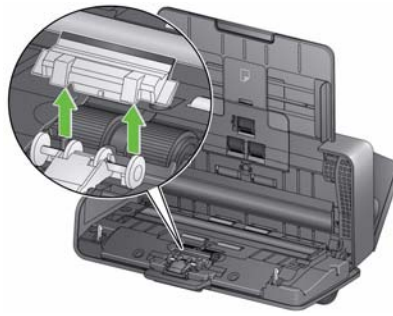
2



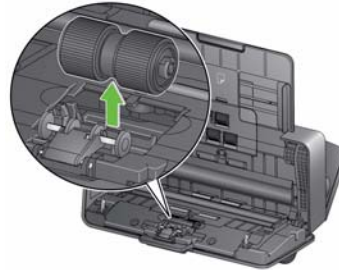
**IMPORTANT:** The Roller Cleaning Pad contains sodium lauryl ether sulfate which can cause eye irritation. Refer to the MSDS for more information.

## Cleaning and replacing the separation roller

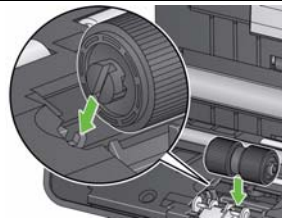
1



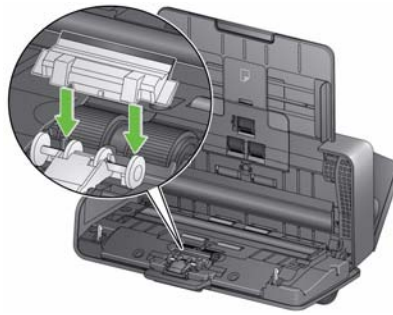
2



3

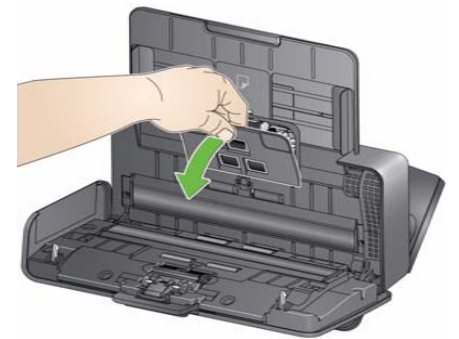


4

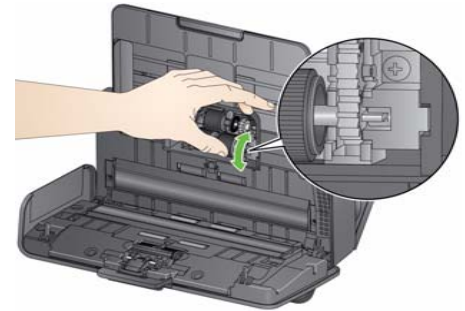


## Cleaning and replacing the feed rollers

1



2



3

